

# Manual call point with SelfVerify – BF-300

Interactive fire detection systems

Product datasheet

## Features

- Addressable
- Max. 3 seconds response time
- Built in indicator (LED)
- Can be tested by means of a special test key
- With SelfVerify function for reduced maintenance/testing and increased reliability
- Short circuit isolator in each manual call point
- Automatic addressing
- Proven technology
- Designed to meet the requirement of the major maritime classification societies

## Applications

BF-300 is a manual call point for indoor use. It is designed for use with Autronica's interactive fire detection systems, and comprises the SelfVerify function. This function ensures the highest grade of reliability and the lowest degree of manual testing because all units comprising this function are automatically self-tested once every 24 hours.

Optionally, there is a BF-300M version, which is made for applications where a higher degree of weather protection is required. There are also manual call points for use in hazardous area zone 2. The BF-300M/N has a metal mounting box with two cable glands. The BF-500/N has a standard plastic mounting box. They must be connected to the BSD-310/N loop driver, but do not require an isolator/barrier unit.

The call point must be installed according to local regulations, which normally means along escape routes, landings and exits.

## Principle

Break glass operation, releasing alarm switch.  
Reset when a new glass is mounted.

SelfVerify: the manual call point's ability to initiate alarms is regularly checked.

## Versions

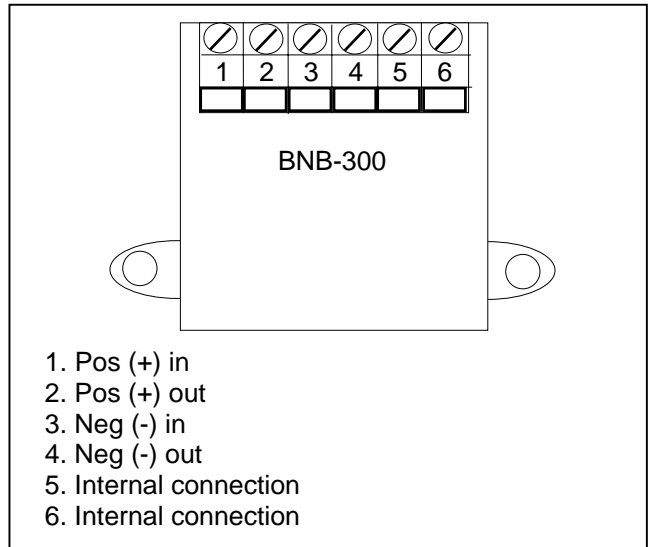
- BF-300 Manual call point with SelfVerify
  - BF-300M\* Manual call point with SelfVerify, with metal mounting box and cable glands.
  - BF-500/EX\* Manual call point with SelfVerify. EExia version for use in all zones
  - BF-300M/N\* Manual call point with SelfVerify. Eexn version for use in zone 2 only
  - BF-500/N Manual call point with SelfVerify. Eexn version for use in zone 2 only
- \* See separate data sheet



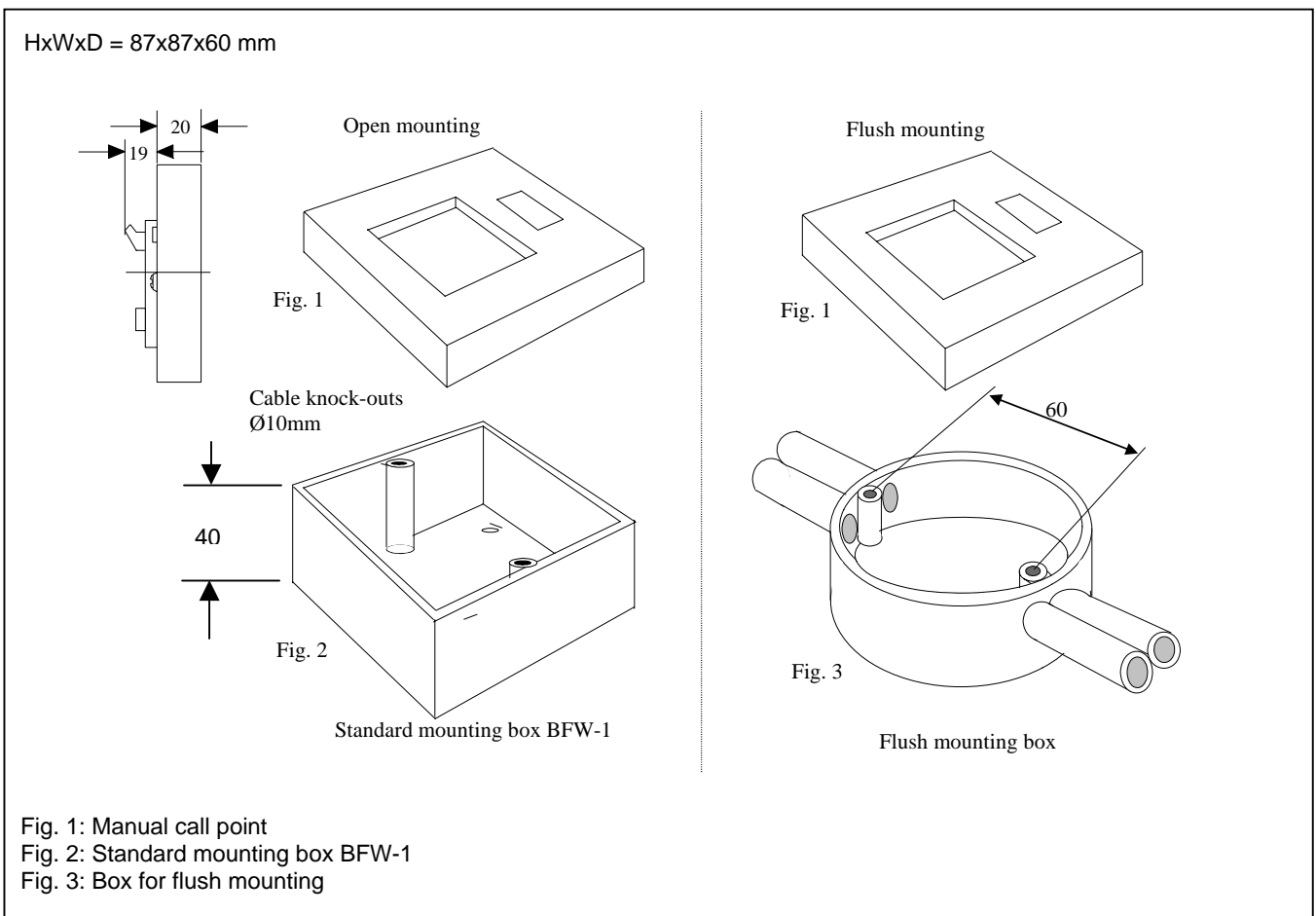
Technical specifications	
Weight	108 g
Material	Thermo plastic
Colour	Red
Voltage	10 - 27 VDC
Current consumption Stand by: Alarm (LED):	0,3mA 6mA
Envir. requirements	EN 54
Degree of protection, inner housing	IP44D
Working temperature	- 30 to + 50°C
Storage temperature	- 55 to + 70°C
Humidity (non- condensing)	Max. 95% RH
Maintenance	Replace broken glass
Service	Replace if faulty
Cable wire	Maximum 2,5 mm <sup>2</sup>
Approvals	See website
Certificate for BF- 500/N	NEMKO 03ATEX217X

Part number	Description
116-BF-300	Manual call point
116-BF-300/GB	BF-300 with labels according to BS5839 part 2
116-BF-500/N	Manual call point certified for use in zone 2.
116-BF-300/GB1	BF-300/GB without mounting box
116-BF-300/Y1	Manual call point, yellow
116-BF-300/S	BF-300 with Swedish label

**Connections**



**Dimensions**



**AUTRONICA FIRE AND SECURITY AS**

Head office, NO-7473 Trondheim, Norway Tel: +47 73 58 25 00, fax: +47 73 58 25 01, e-mail: info@autronicafire.no  
 Oil and Gas division, Stavanger, Norway Tel: +47 51 84 09 00, fax: +47 51 84 09 99  
 Maritime division, Spikkestad, Norway Tel: +47 31 29 55 00, fax: +47 31 29 55 01